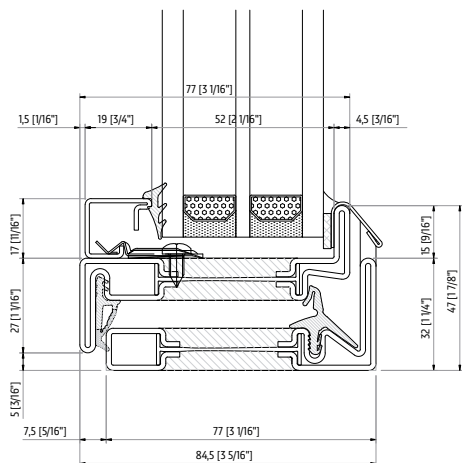
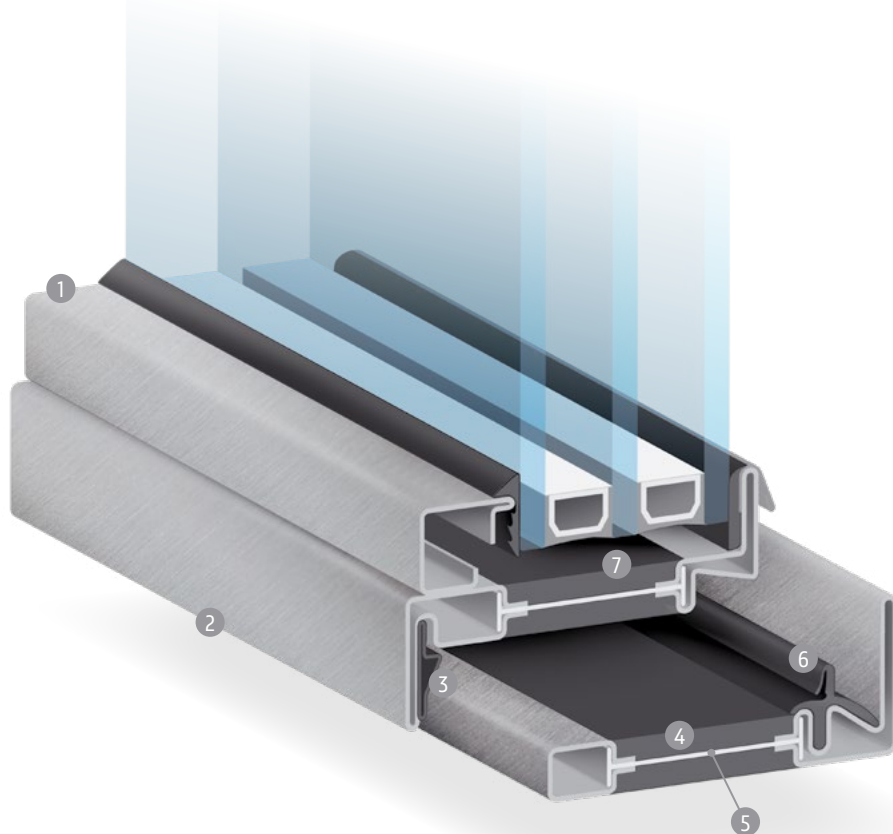


# FARO 75

- ① glazing bead
- ② internal and external rebate
- ③ internal rebate seal
- ④ polyurethane
- ⑤ polyamide break
- ⑥ frame with weep system seal
- ⑦ maximum glazing pocket of 55mm (2 3/16")



## profiles

P.2901 77 [3 1/16"] 32 [1 1/4"]	P.2903 77 [3 1/16"] 32 [1 1/4"]	P.2905 77 [3 1/16"] 47 [1 7/8"]	P.2915 77 [3 1/16"] 47 [1 7/8"]	P.2922 77 [3 1/16"] 47 [1 7/8"]	P.2932 84 [3 5/16"] 47 [1 7/8"]	P.2932 77 [3 1/16"] 27 [1 1/16"]	P.2942 77 [3 1/16"] 47 [1 7/8"]	P.2943 77 [3 1/16"] 27 [1 1/16"]
P.2951 77 [3 1/16"] 27 [1 1/16"]	P.2952 77 [3 1/16"] 42 [1 5/8"]	P.2953 77 [3 1/16"] 27 [1 1/16"]	P.2955 77 [3 1/16"] 42 [1 5/8"]	P.2961 77 [3 1/16"] 32 [1 1/4"]	P.2962 77 [3 1/16"] 47 [1 7/8"]	P.2963 77 [3 1/16"] 32 [1 1/4"]	P.2965 77 [3 1/16"] 32 [1 1/4"]	P.2971 70 [2 3/4"] 27 [1 1/16"]
P.2972 70 [2 3/4"] 42 [1 5/8"]	P.2973 70 [2 3/4"] 27 [1 1/16"]	P.2974 70 [2 3/4"] 42 [1 5/8"]	P.2975 84 [3 5/16"] 47 [1 7/8"]	P.2982 77 [3 1/16"] 47 [1 7/8"]	P.2985 77 [3 1/16"] 47 [1 7/8"]	P.2930 70 [2 3/4"] 12 [7/2"]	P.2931 77 [3 1/16"] 12 [7/2"]	P.2952 77 [3 1/16"] 65 [2 9/16"]
P.2955	P.2991	P.2992	P.2993	P.2995				



BROMBAL

discoverbrombal.com

