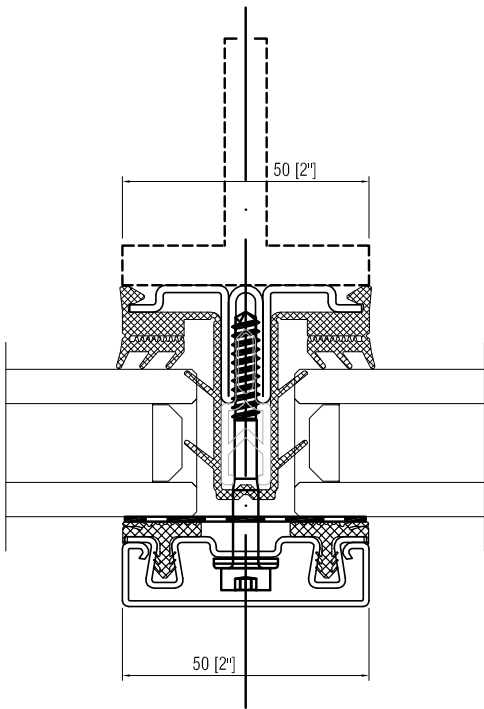
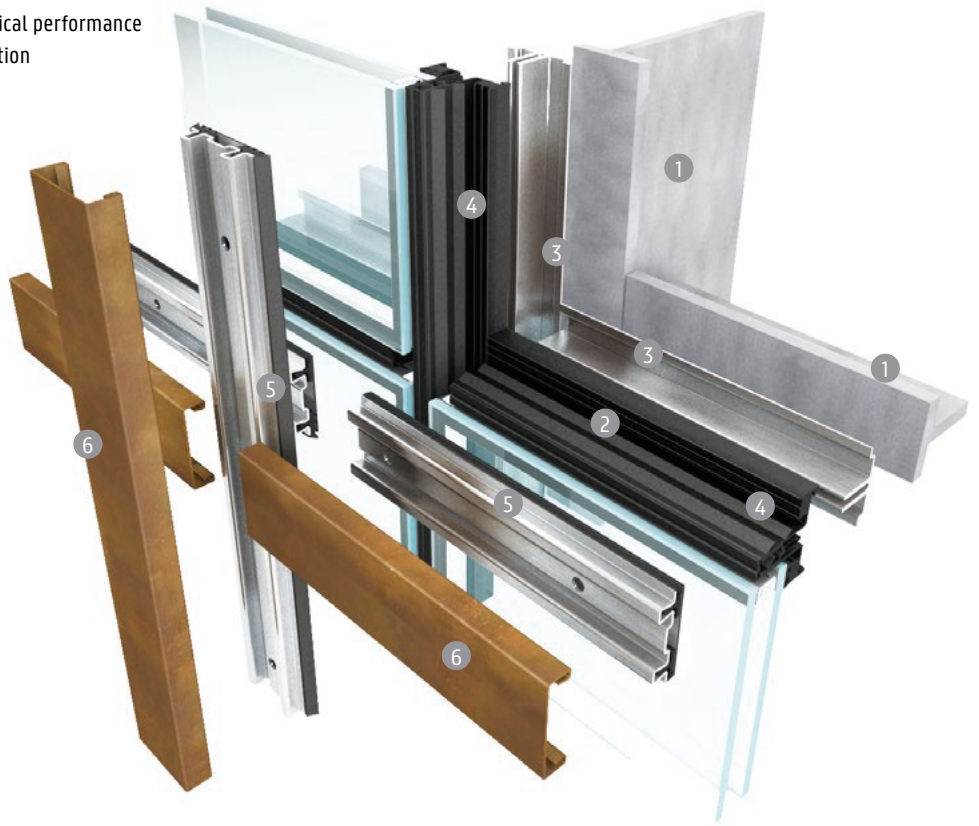


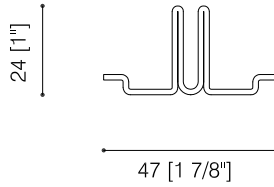
# SKY 2

- ① structure by other
- ② maximum glazing pocket of 56mm (2 3/16")
- ③ sealing and water draining gaskets system
- ④ extruded polyethylene foam for greater technical performance
- ⑤ pre-drilled hold-down device for easy installation
- ⑥ cover profile in 7 finishes

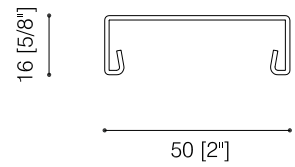


## profiles

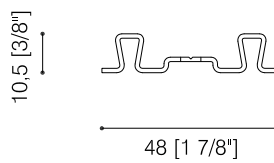
P.3503



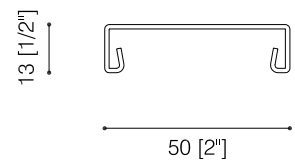
P.3406



P.3403

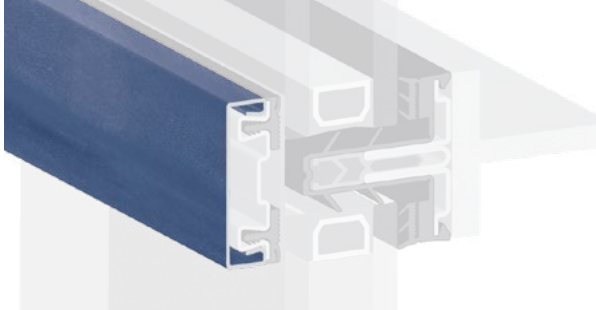


P.3407

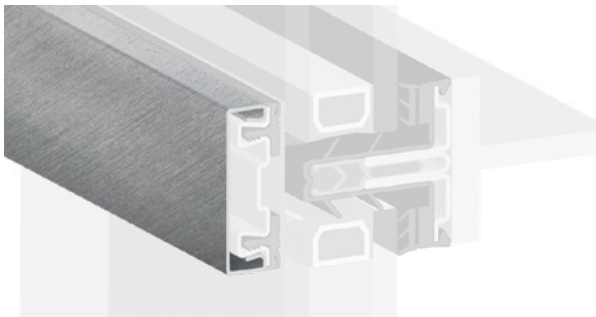


# SKY 2 materials available and application options

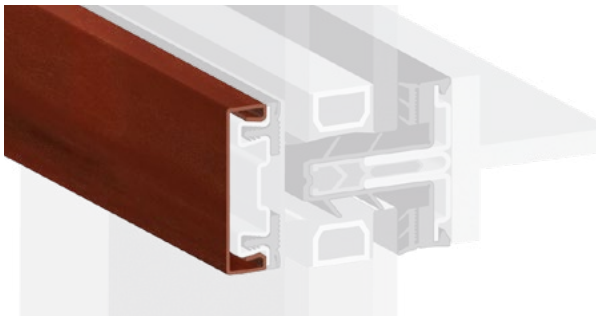
material for covers



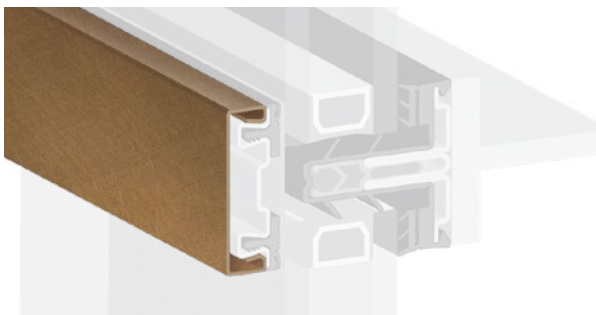
galvanized steel



stainless steel

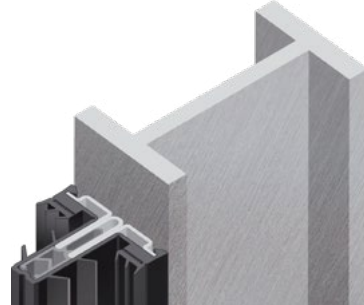


corten steel

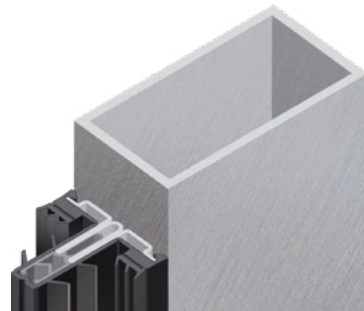


brass

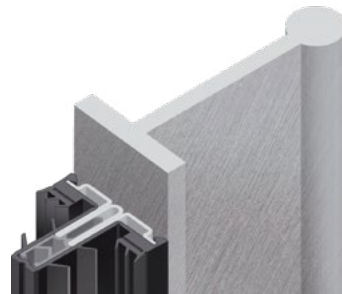
application options



IPE welded beam



rectangular pipe



customized welded girder



wooden girder