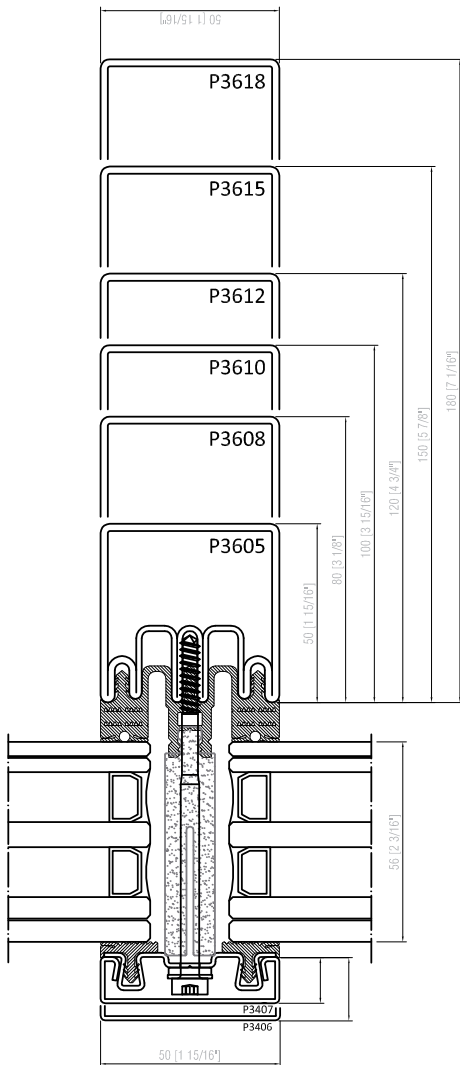
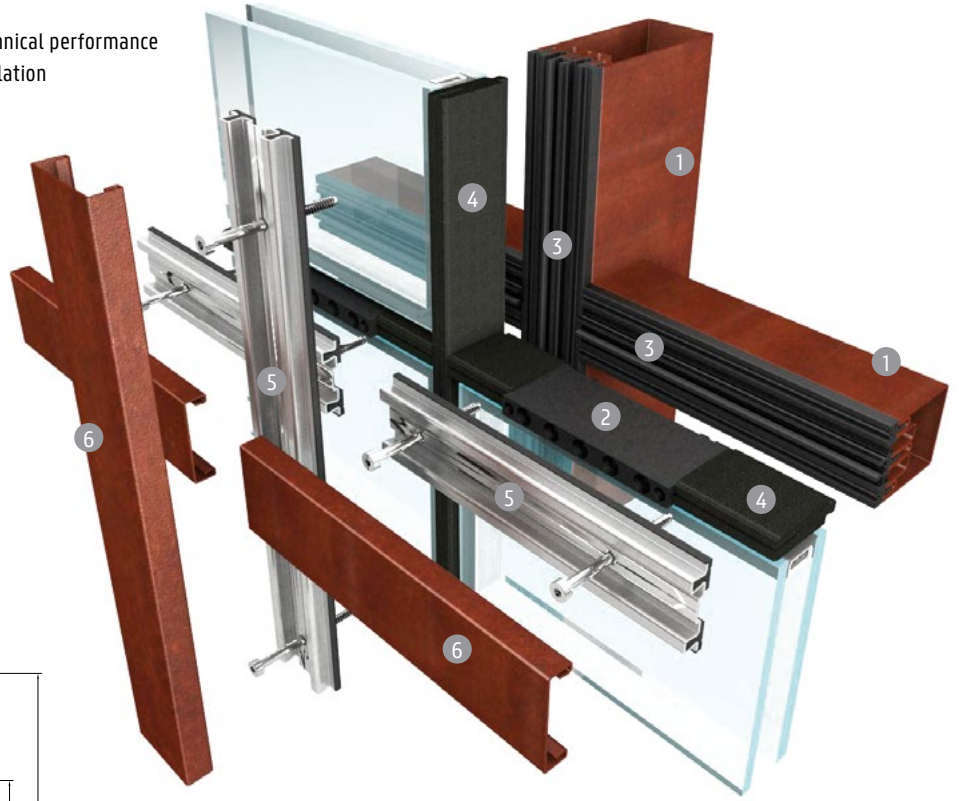
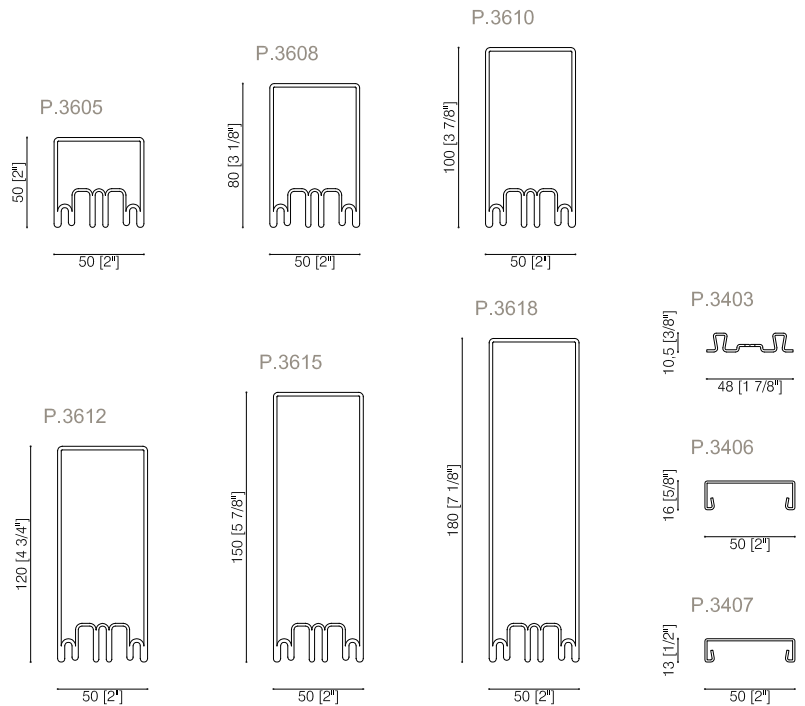


# SKY 1

- ① mullion/transom profiles in 5 finishes
- ② maximum glazing pocket of 56mm (2 3/16")
- ③ sealing and water draining gaskets system
- ④ extruded polyethylene foam for greater technical performance
- ⑤ pre-drilled hold-down device for easy installation
- ⑥ cover profile in 7 finishes

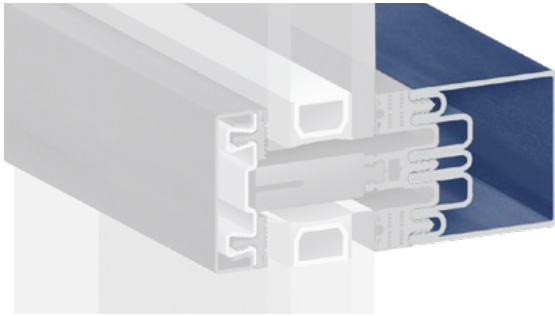


## profiles



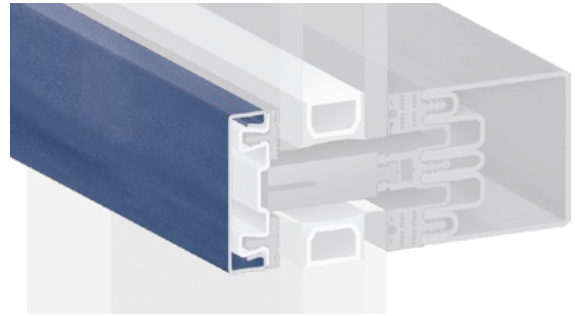
# SKY 1 materials available

material for transom and mullions

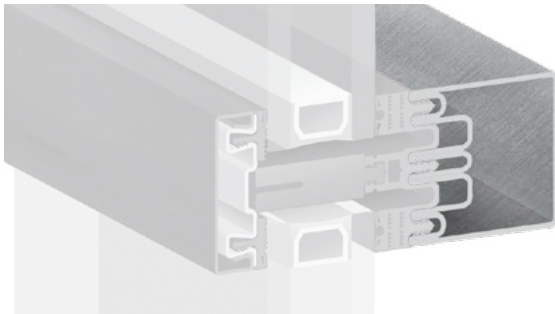


galvanized steel

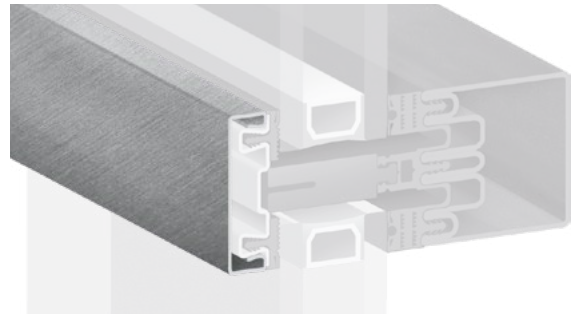
material for covers



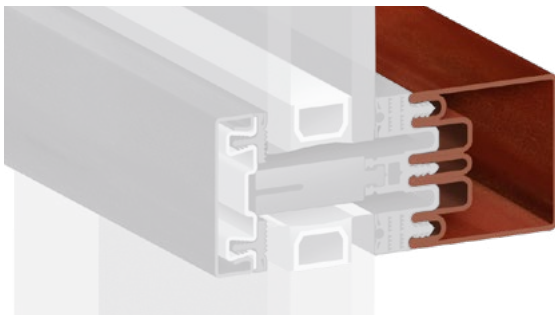
galvanized steel



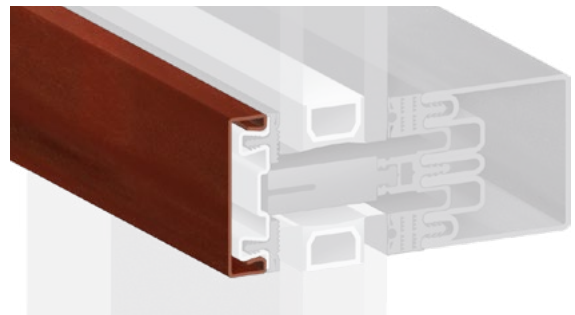
stainless steel



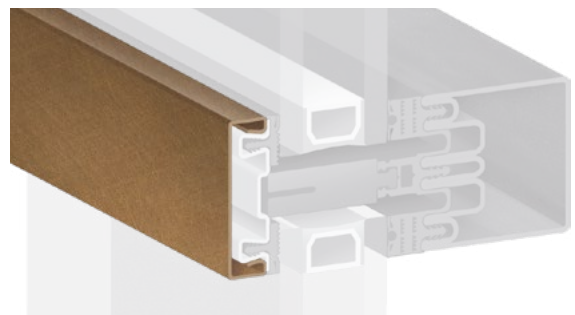
stainless steel



corten steel



corten steel



brass

