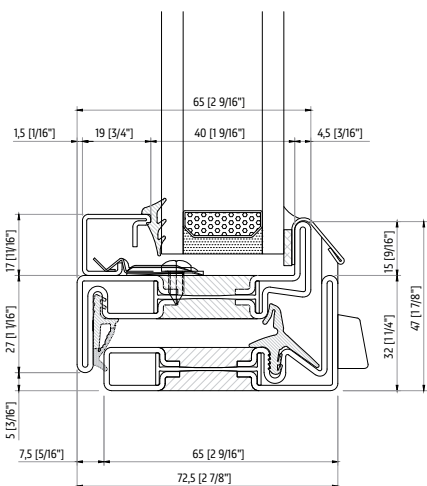
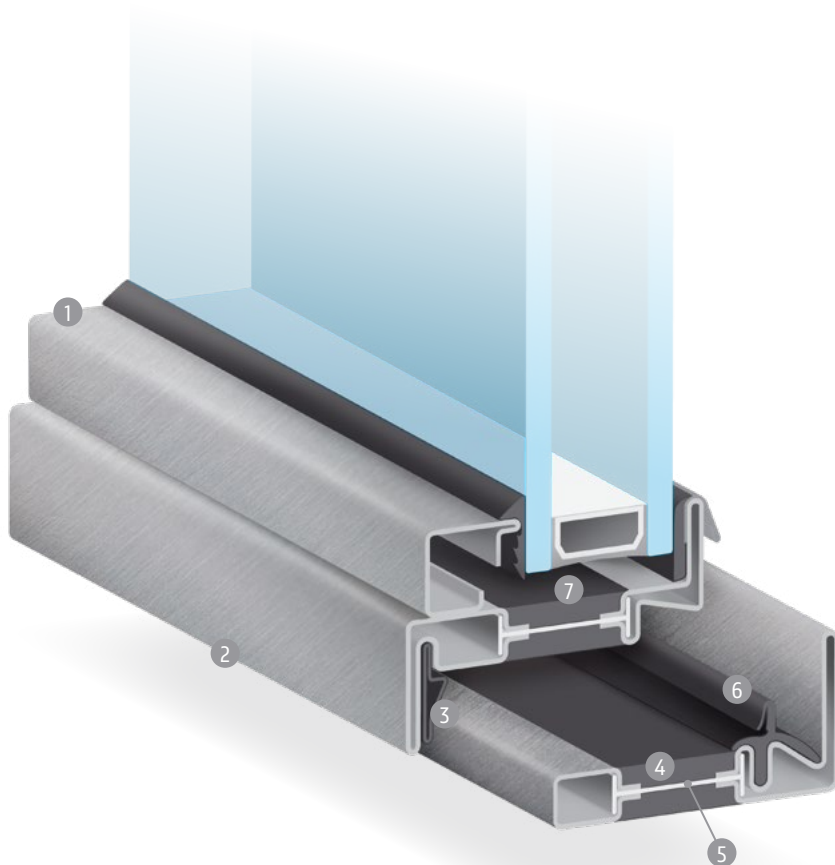


# FARO 65

- ① glazing bead
- ② internal and external rebate
- ③ internal rebate seal
- ④ polyurethane
- ⑤ polyamide break
- ⑥ frame with weep system seal
- ⑦ maximum glazing pocket of 43mm (1 11/16")



## profiles

P.2801 65 [2 9/16"] 32 [1 1/4"]	P.2803 65 [2 9/16"] 32 [1 1/4"]	P.2805 65 [2 9/16"] 47 [1 7/8"]	P.2815 65 [2 9/16"] 47 [1 7/8"]	P.2822 65 [2 9/16"] 47 [1 7/8"]	P.2832 72 [2 13/16"] 47 [1 7/8"]	P.2832 65 [2 9/16"] 27 [1 1/16"]	P.2842 65 [2 9/16"] 47 [1 7/8"]	P.2843 65 [2 9/16"] 27 [1 1/16"]
P.2851 65 [2 9/16"] 27 [1 1/16"]	P.2852 65 [2 9/16"] 42 [1 5/8"]	P.2853 65 [2 9/16"] 27 [1 1/16"]	P.2855 65 [2 9/16"] 42 [1 5/8"]	P.2861 65 [2 9/16"] 32 [1 1/4"]	P.2862 65 [2 9/16"] 47 [1 7/8"]	P.2863 65 [2 9/16"] 32 [1 1/4"]	P.2865 65 [2 9/16"] 32 [1 1/4"]	P.2871 58 [2 5/16"] 27 [1 1/16"]
P.2872 58 [2 5/16"] 42 [1 5/8"]	P.2873 58 [2 5/16"] 27 [1 1/16"]	P.2874 58 [2 9/16"] 42 [1 5/8"]	P.2875 72 [2 13/16"] 47 [1 7/8"]	P.2882 65 [2 9/16"] 47 [1 7/8"]	P.2885 65 [2 9/16"] 47 [1 7/8"]	P.2654 64 [2 1/2"] 36 [1 7/16"]	P.2664 58 [2 5/16"] 36 [1 7/16"]	P.2652 65 [2 9/16"] 65 [2 9/16"]
P.2655 58 [2 5/16"] 54 [2 1/8"]	P.2891 72 [2 13/16"] 32 [1 1/4"]	P.2892 72 [2 13/16"] 32 [1 1/4"]	P.2893 72 [2 13/16"] 32 [1 1/4"]	P.2895 72 [2 13/16"] 32 [1 1/4"]	P.2830 58 [2 5/16"] 12 [7/2"]	P.2831 65 [2 9/16"] 12 [7/2"]		



BROMBAL

discoverbrombal.com

